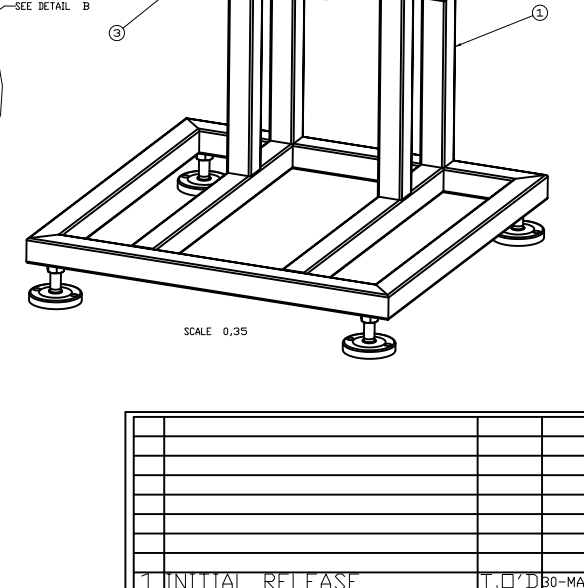
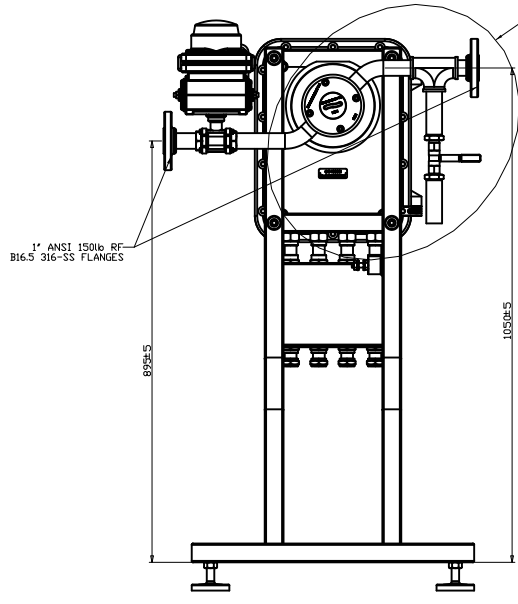
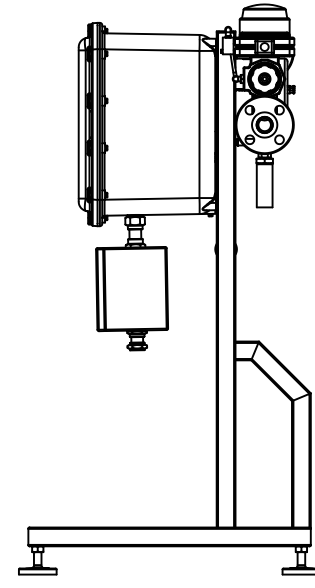
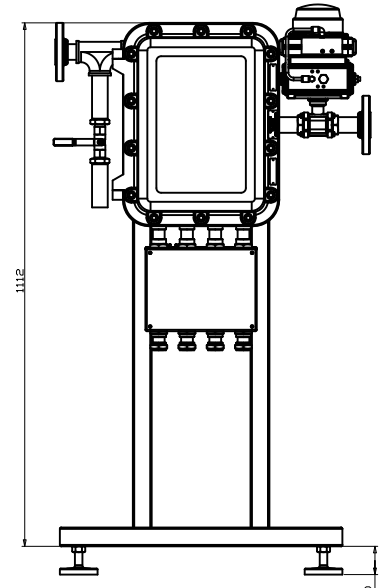
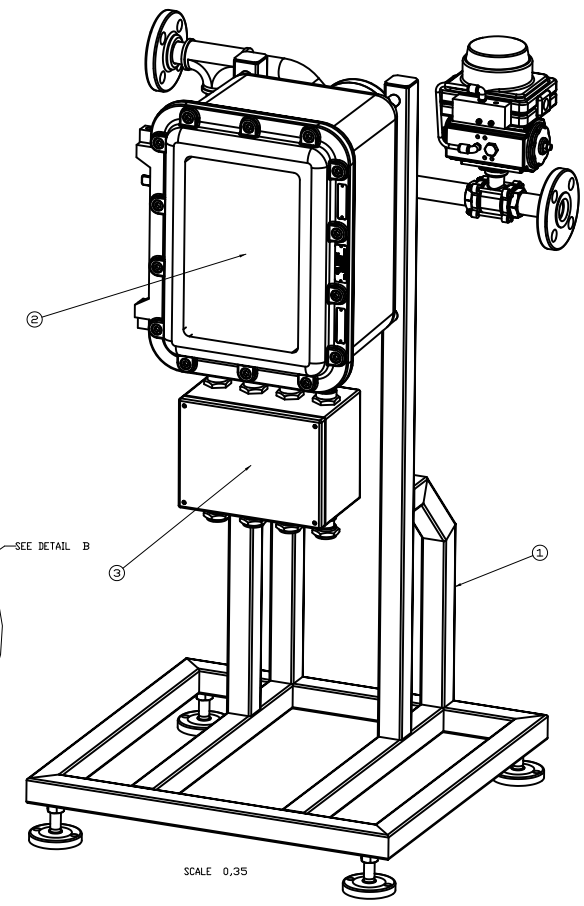
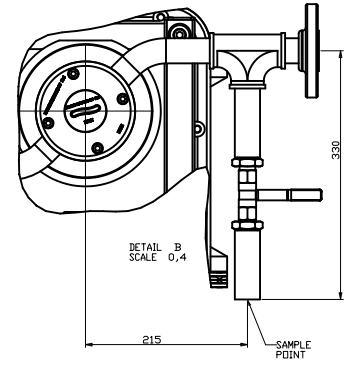
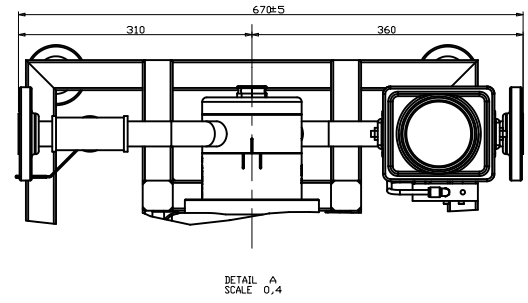
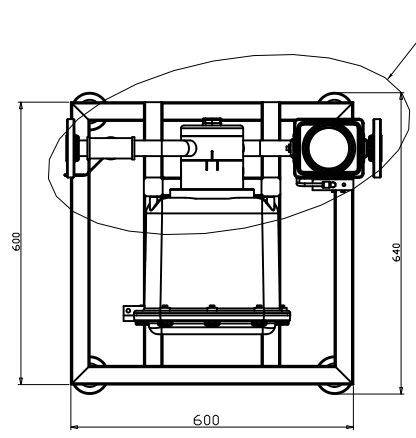


REF	DESCRIPTION	QTY	WEIGHT (Kg)	MATERIAL
1	FRAME	1	40	NACE CERTIFIED 316L SS
2	ELECTRONICS CONTROL HOUSING	1	45	EPOXY/POLYESTER POWDER COATED GRADE LM6 CAST ALLOY
3	TERMINATION BOX	1	5	NACE CERTIFIED 316L SS



NOTES:
 REMOVE ALL BURRS
 BREAK ALL SHARP EDGES
 REMOVE ALL DIRT AND GREASE
 HANDLE WITH CARE AND ENSURE NO SCRATCHES OR INDENTATIONS

ima UK Distribution by IMA Ltd
 Tel: +44 (0)1943 878877
 Email: info@ima.co.uk
 Web: www.ima.co.uk

Job No: 100101
 Drg No:
 Scale: 0.25:1
 Sheet 10 of 2

ADVANCED SENSORS LTD 8 Meadowbank Road, Carrickfergus, Co. Antrim, BT38 8YF NORTHERN IRELAND		All Dimensions in millimetres Unless Otherwise Stated
Title: EX100/EX1000 WITHOUT SUNSCREEN AND WITH TERMINATION BOX	Material: SEE PART DRAWINGS	3rd Angle Projection Drawn: T.O'D Date: 30-MAR-11
Customer: ADVANCED SENSORS LTD	Job Description: IJW MONITOR	All Tolerances Unless Stated 0. ± 0.5 0.0 ± 0.1 0.00 ± 0.05 0.000 ± 0.005
All dimensions identified (M) are to be measured on the CMM in the first instance. Alternatively, suitable measuring instruments may be used.		Checked: Approved:

Rev	Brief description of modifications	Drawn by	Date
1	INITIAL RELEASE	T.O'D	30-MAR-11