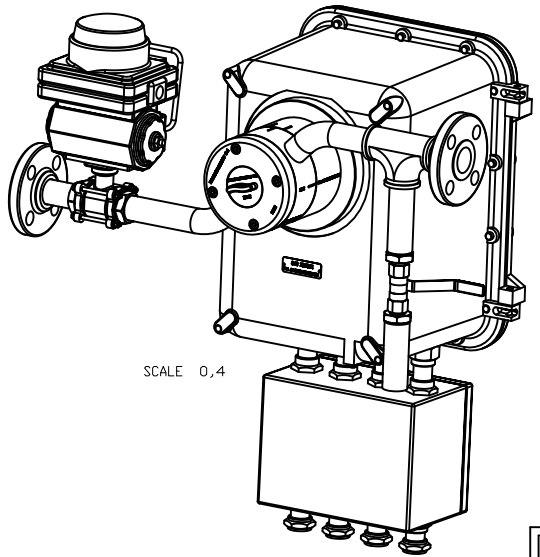
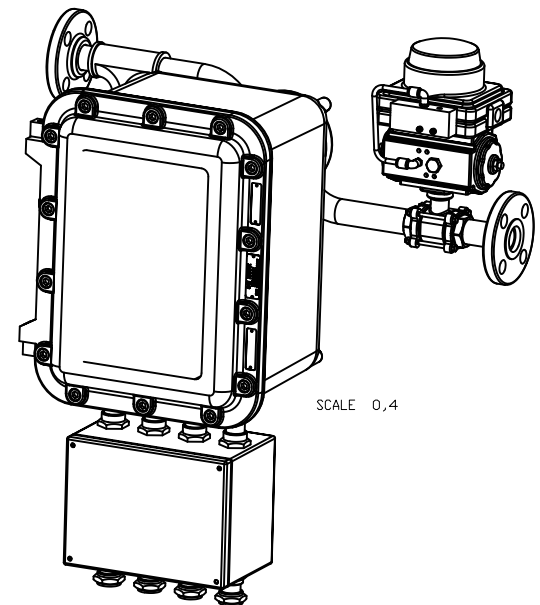
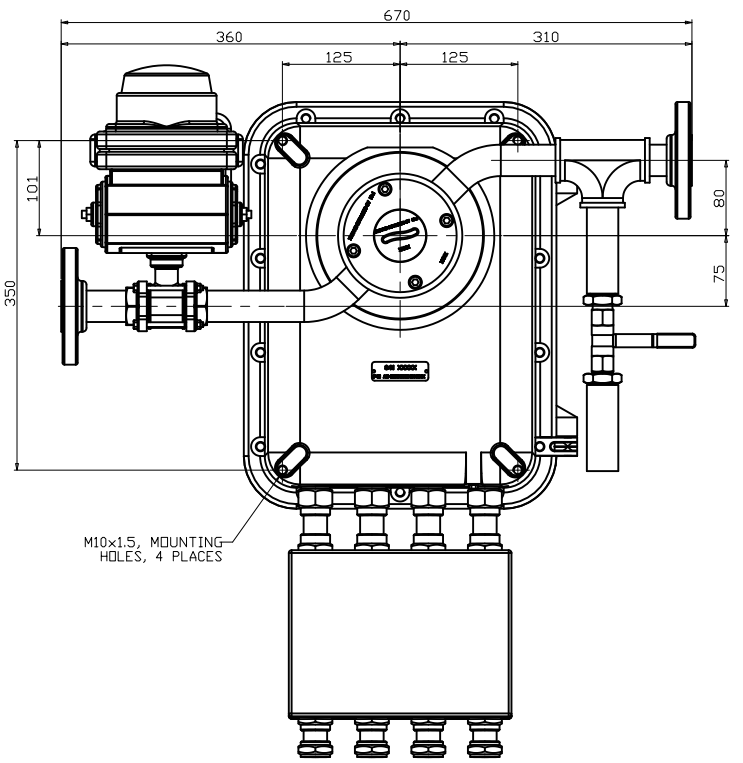
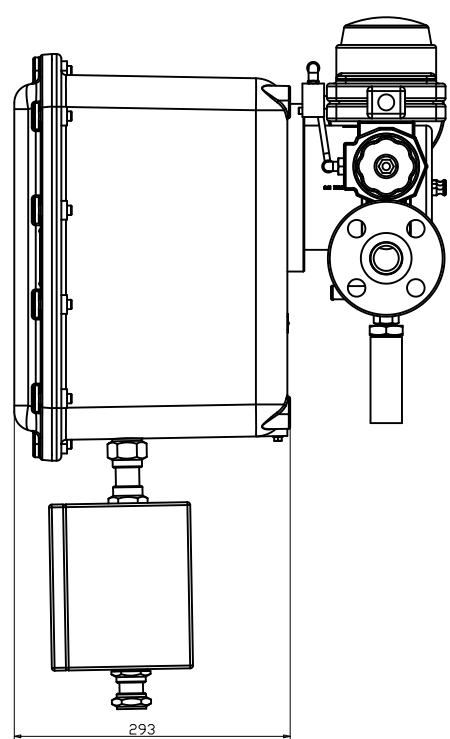
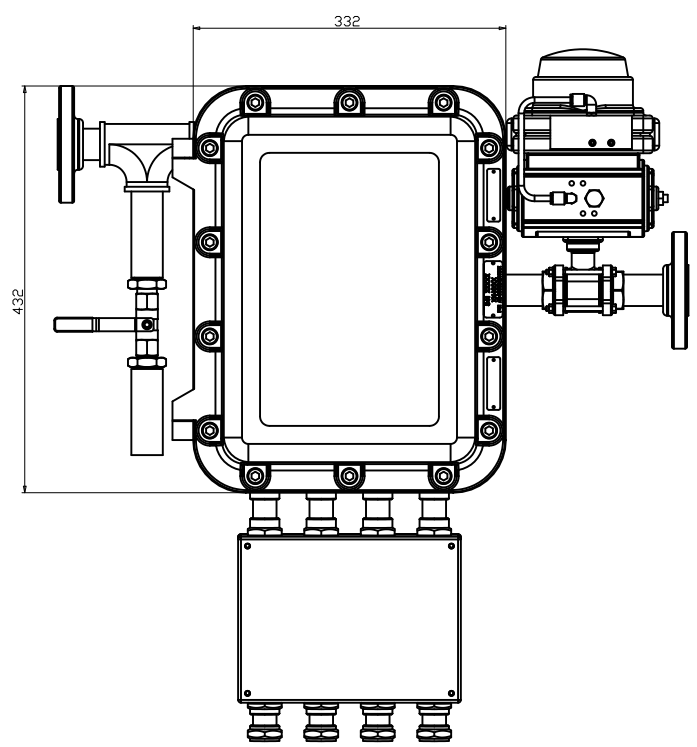


1 2 3 4 5 6 7 8 9 10 11 12 13 14

A
B
C
D
E
F
G
H
J
K



NOTES:
REMOVE ALL BURRS
BREAK ALL SHARP EDGES
REMOVE ALL DIRT AND GREASE
HANDLE WITH CARE AND ENSURE NO SCRATCHES OR INDENTATIONS

ima UK Distribution by IMA Ltd
Tel: +44 (0)1943 878877
Email: info@ima.co.uk
Web: www.ima.co.uk

Rev	Brief description of modifications	Drawn by	Date
1	INITIAL RELEASE	T.O'D	12-APR-11

ADVANCED SENSORS LTD		8 Meadowbank Road, Carrickfergus, Co. Antrim, BT38 8YF NORTHERN IRELAND		All Dimensions in millimetres Unless Otherwise Stated	
Title: EX100/EX1000 ANALYSER GA		3rd Angle Projection		Drawn: T.O'D Date: 12-APR-11	
Material: SEE PART DRAWINGS		Customer: ADVANCED SENSORS LTD		Job Description: IW MONITOR	
All dimensions identified (M) are to be measured on the CHM in the first instance. Alternatively, suitable measuring instruments may be used.		0.0 ± 0.1		Approved:	
		0.00 ± 0.05		0.000 ± 0.005	

Job No: 00101
Drg No: AS-DIW00000-EX
Scale: 1:2
Sheet 1 of 1

1 2 3 4 5 6 7 8 9 10 11 12 13 14